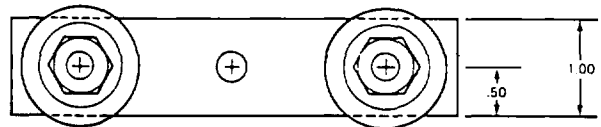
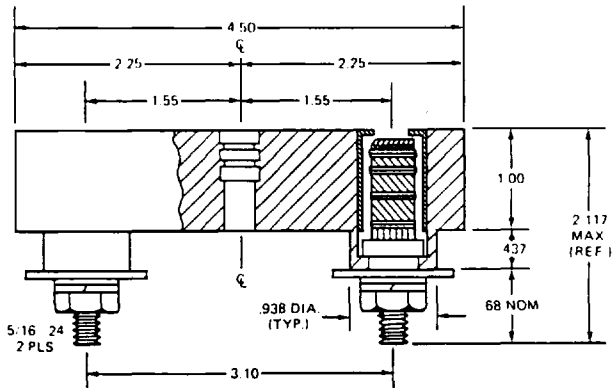


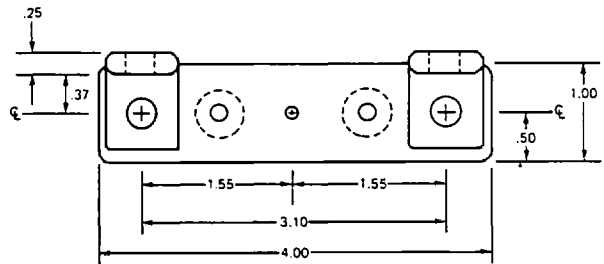
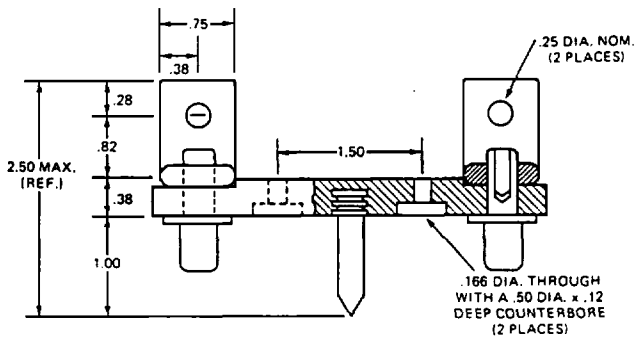
# THE ELCON PD20 FAMILY OF NON-LOCKING, TWO-POLE PANEL DISCONNECT PRODUCTS

## PD20-1



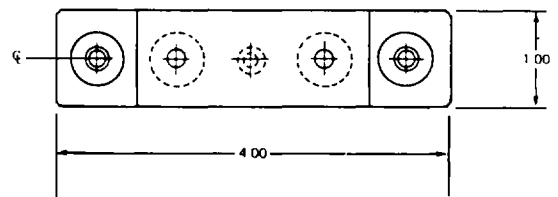
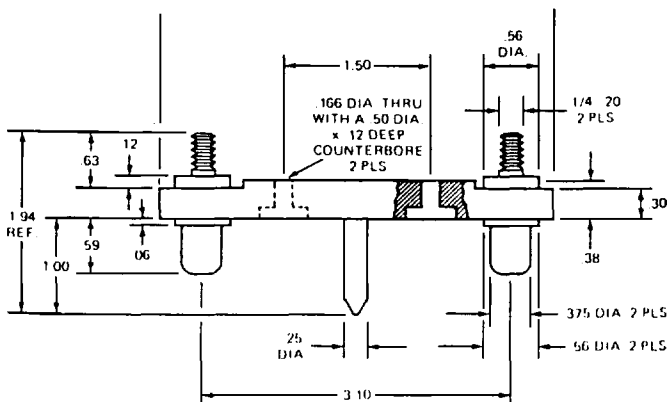
NOTE: DETAILS SHOWN BUT NOT DIMENSIONALLY DEFINED ARE FOR ILLUSTRATIVE PURPOSES ONLY.

## PD20-2A



NOTE: DETAILS SHOWN BUT NOT DIMENSIONALLY DEFINED ARE FOR ILLUSTRATIVE PURPOSES ONLY.

## PD20-2B



NOTE: DETAILS SHOWN BUT NOT DIMENSIONALLY DEFINED ARE FOR ILLUSTRATIVE PURPOSES ONLY.

SCALE: 50% OF ORIGINAL

# THE ELCON PD20 FAMILY OF NON-LOCKING, TWO-POLE PANEL DISCONNECT PRODUCTS

## The Elcon PD20 System

The ELCON™ PD20 system has two types of male connection (PD20-2A and PD20-2B) that each mate to a common socket (the PD20-1). The socket is made for glueing into a conductive or non-conductive panel while the pin portion can be mounted a variety of ways. These give the system designer a wide variety of mounting options for a connection system that is just barely starting to work at 500 amps.

## Performance Specifications

Contact Resistance	Current/Time	Millivolt Losses
	2000 amps/1 min.	75 millivolts
	750 amps/5 min.	26 millivolts
Dielectric Strength	<ul style="list-style-type: none"> <li>Withstands 2500 volts applied between electrical connections — passed test at ambient, -65°F and +160°F.</li> </ul>	
Insulation Resistance	<ul style="list-style-type: none"> <li>Exceeds 5 gigohms between electrical connections when tested for 1 minute at 500 VDC at -65°F and +160°F.</li> </ul>	
Operating Temperature Range	<ul style="list-style-type: none"> <li>-65°F to 160°F ambient (min.).</li> </ul>	
Salt Fog	<ul style="list-style-type: none"> <li>Unaffected by 168 hour exposure to a 5% salt fog at 95°F.</li> </ul>	
Vibration	<ul style="list-style-type: none"> <li>Withstands vibrational stresses at magnitudes of + 10G acceleration and frequencies up to 500 cps.</li> </ul>	
Fluid Resistance	<ul style="list-style-type: none"> <li>Resistant to the following fluids: MIL-H-5606 Hydraulic Fluid MIL-L-23696 Lubrication Fluid Sulfuric Acid Sp. Gr. 1.10 Potassium Hydroxide Sp. Gr. 1.10</li> </ul>	
Humidity Resistance	<ul style="list-style-type: none"> <li>Unaffected by exposure to 95% R.H. at up to 140°F.</li> </ul>	
Fungus	<ul style="list-style-type: none"> <li>Does not support fungus growth.</li> </ul>	

## Suggested Uses

The PD20 family has been designed for use in draw-out switchgear, power supplies and like applications.

## Mounting Notes

The insulation used on these products is extremely strong and may be drilled or machined as required for a particular mounting. Be sure to either carefully control your system tolerances or to design some "float" into your mounting design. The guide pin and socket have been designed to help in final alignment.

## Material Specifications

Body Material	<ul style="list-style-type: none"> <li>Glass filled diallyl phthalate, fully qualified under MIL-P-19833, Type GDI-30.</li> </ul>
Color	<ul style="list-style-type: none"> <li>Green</li> </ul>
Pin and Guide	<ul style="list-style-type: none"> <li>Type 302, 303, or 304 Stainless Steel.</li> </ul>
Socket Material	<ul style="list-style-type: none"> <li>Annealed copper wire formed into the patented ELCON HELIX™ and installed into a brass mounting base by pressing and soldering. The entire assembly is silver plated per QQ-S-365.</li> </ul>
Lug Attachment (socket)	<ul style="list-style-type: none"> <li>Nut, 5/16-24 UNF silver plated steel; lock-washer, silver plated steel; small flat washer, silver plated steel; large flat washer, polypropylene (for shipping only).</li> </ul>
Pin Material	<ul style="list-style-type: none"> <li>Copper conforming to the requirements of QQ-C-502. Silver plated per QQ-S-365 nom. .0005" thick.</li> </ul>
Right Angle Strap, PD20-2A	<ul style="list-style-type: none"> <li>Hard drawn copper, silver plated per QQ-S-365.</li> </ul>
Lug Attachment (PD20-2B)	<ul style="list-style-type: none"> <li>Silver plated steel 1/4-20 UNC nut, lock-washer and flat washer.</li> </ul>

## How to Order

ELCON™ PD20 products can be ordered either individually or as "mated" pairs. The chart below shows how it's done.

If You Order	You Get
PD20A	Socket PD20-1 and Pin Assembly PD20-2A
PD20B	Socket PD20-1 and Pin Assembly PD20-2B
PD20-1 (A or B)	Socket PD20-1
PD20-2A	Pin Assembly PD20-2A
PD20-2B	Pin Assembly PD20-2B